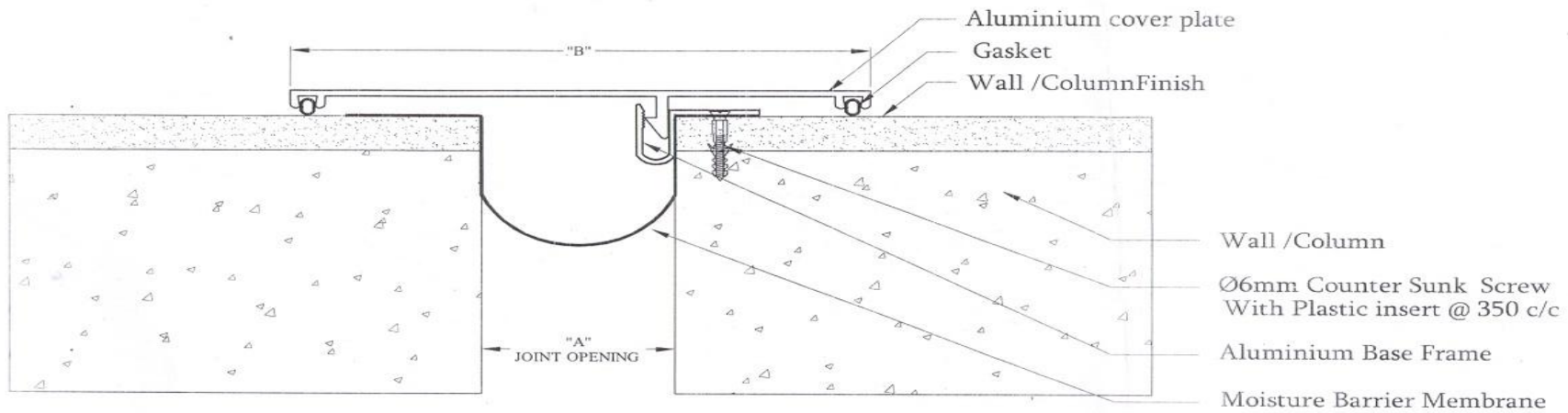


Option-1

LOCATION :- EXTERIOR WALL TO WALL



MODEL : SNPG -200

QUANTITY :- 55 RM

DIMENSION CHART

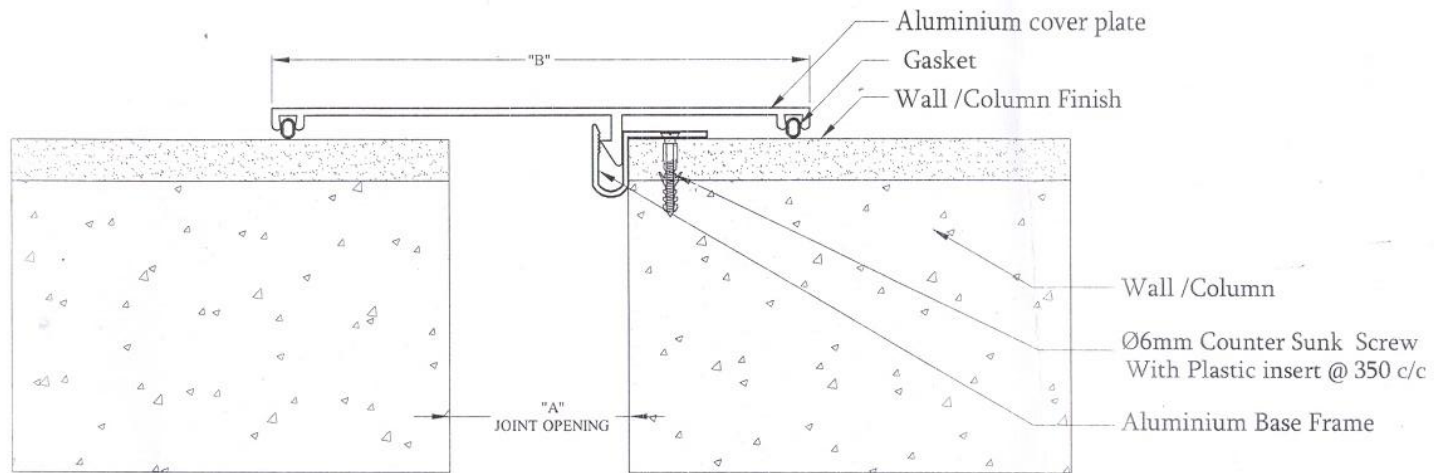
MODEL NO.	"A" (GAP WIDTH)	"B" SYSTEM WIDTH (mm)	TOTAL MOVEMENT (mm)
SNPG - 200	50	150	± 37

NOTE -

- a) The slope of drainage shall be away from the joint location.
- b) Drainage spout at both end to be planned if water exist from Epdm required.

option-1

LOCATION :- INTERIOR WALL TO WALL



MODEL: SNPG -200

QUANTITY :- 0 RM 235 R.M.

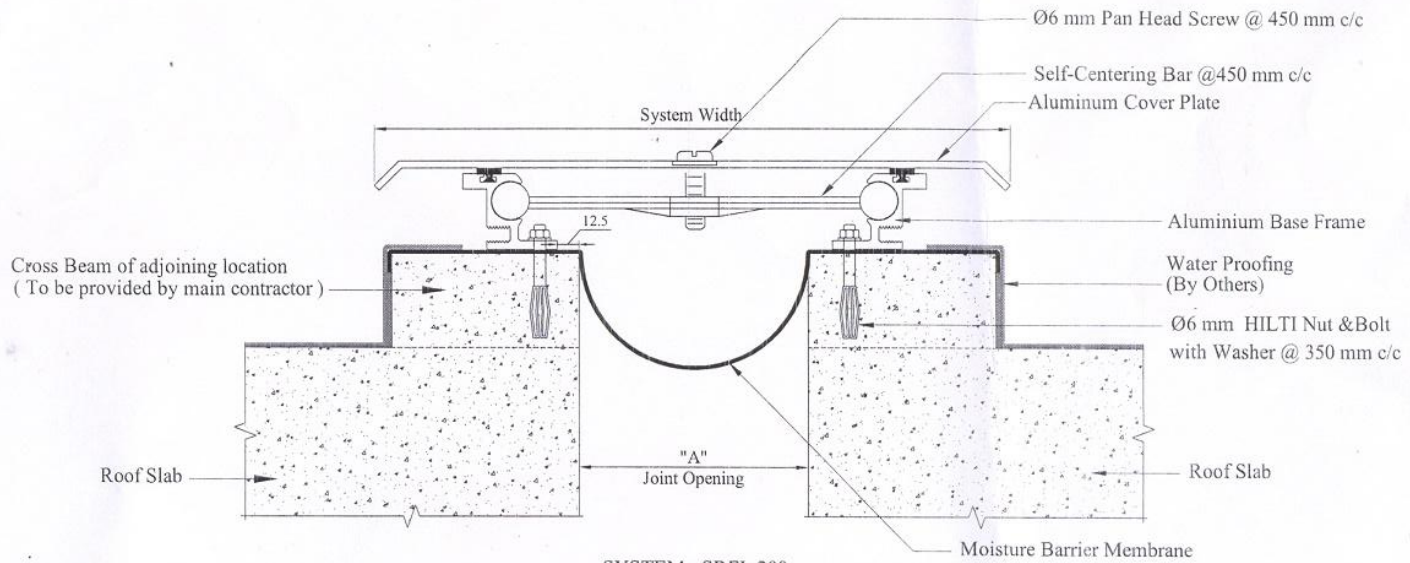
DIMENSION CHART			
MODEL NO.	"A" (GAP WIDTH)	"B" SYSTEM WIDTH (mm)	TOTAL MOVEMENT (mm)
SNPG- 200	50	150	± 37

NOTE -

- The slope of drainage shall be away from the joint location.
- Drainage spout at both end to be planned if water exist from Epdm required.

Option-1

LOCATION: ROOF TO ROOF



SYSTEM : SRFL 200

QUANTITY :- 8 RM 94.0 RM

DIMENSION CHART

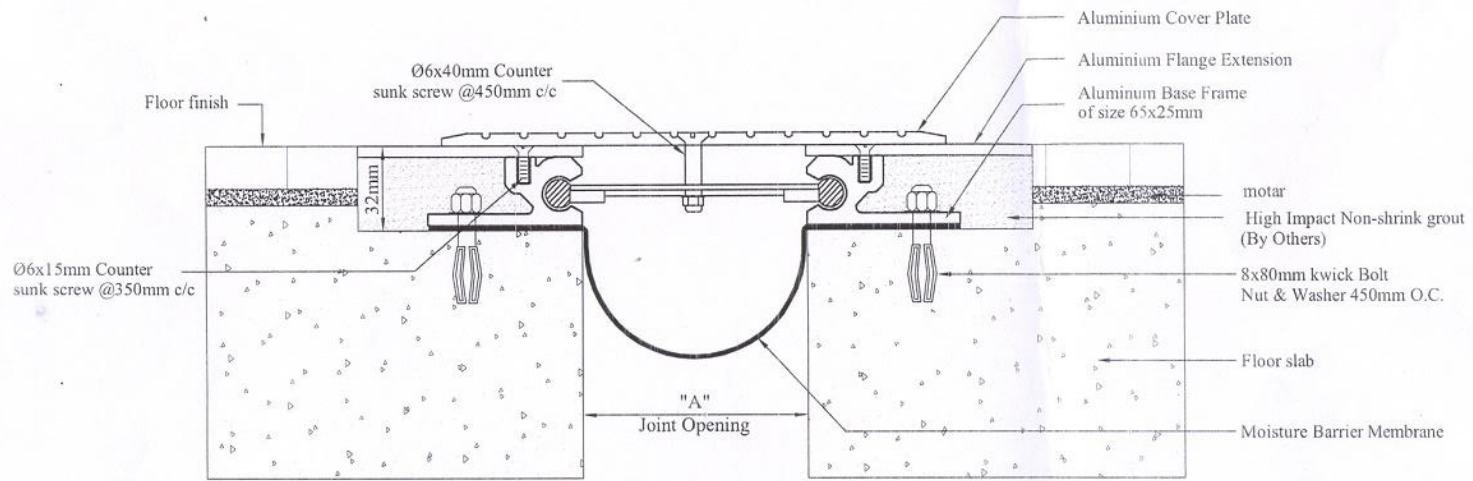
MODEL	"A" @ Min	"A" @ Mid	"A" @ Max	Total Movement	System Width	Membrane
SRFL-200	6mm	51mm	76mm	70mm	216x3mm	300x2mm

NOTE -

- a) The slope of drainage shall be away from the joint location.
- b) Drainage spout at both end to be planned if water exist from Epdm. required.

option 1

LOCATION: FLOOR TO FLOOR



MODEL: SAPX 200

QUANTITY :- 7 RM 125 RM

DIMENSION CHART

MODEL	"A" @ Min	"A" @ Mid	"A" @ Max	Total Movment	"Top" Cover Plate	Flange Extension	Membrane
SAPX-200	35mm	51mm	76mm	41mm	140x5mm	80x5mm	300x2mm

NOTE -

- a) The slope of drainage shall be away from the joint location.
- b) Drairage spout at both end to be planned if water exist from Epdm required.